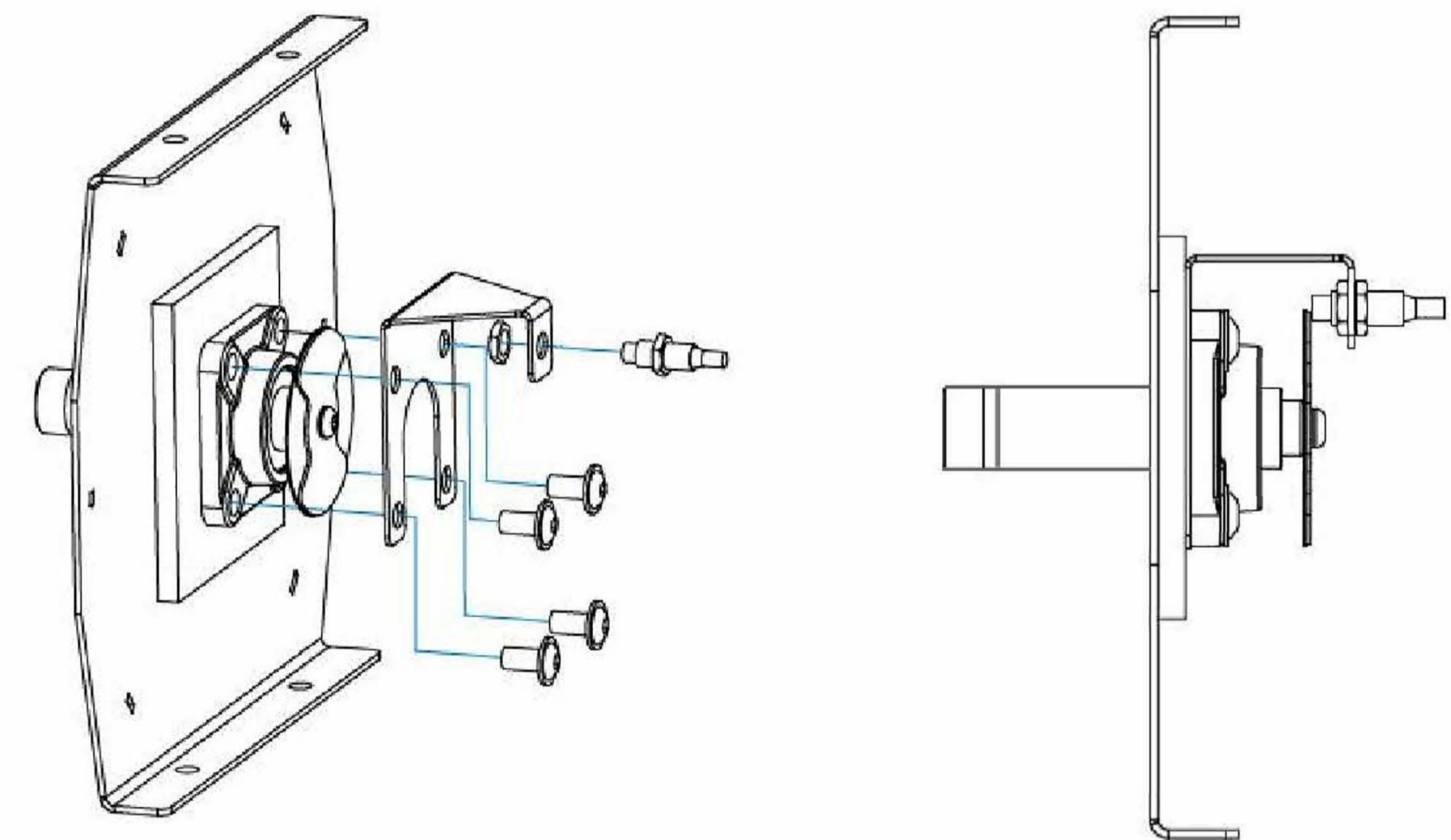


Diagram states loss through rotary valve depending on pressure conditions

B 1000 S Rotary Valve

Rotor Diameter:	Ø600mm
Geared Motor Size:	3kW
Speed at 50Hz:	30 r.p.m.
Capacity @ 50% fill rate:	120m ³ /h
Weight:	260kg



Rotation sensor