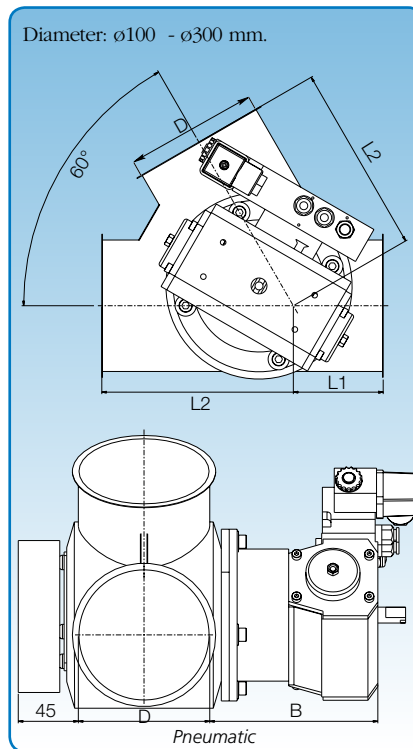
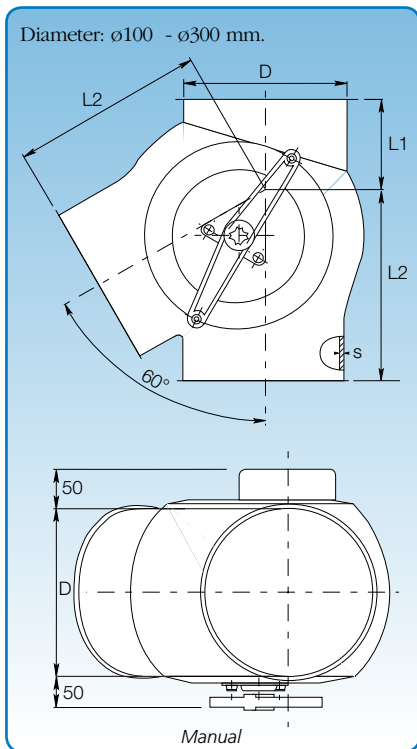


60° branch diverter, pressed, manual and pneumatic.

Revised:

16.06.2020



Dimensional specifications are given in the table below.

General

60° branch diverters, pressed, designed for falling and forced direction transport.
Damper suspended on brass bearings.
Supplied as standard with left branch.

With pneumatic actuator

The damper is turned by a pneumatic actuator controlled by an electrically-operated valve.
Solenoid valve: monostable 5/2 valve with 1 x 24VDC electric coil. Pneumatic pressure: 4-6 bar.
Valve setting indicators are available as an optional extra.

Dimensions

Item no. (Man.)	Item no. (Pneu.)	D mm	s mm	B mm	L1 mm	L2 mm	Weight (Man.) kg	Weight (Pneu.) kg
1700036	1740036	100	1,50	145	70	145	2,20	5,20
1701036	1741036	120	1,50	145	160	240	6,00	9,00
1702036	1742036	125	1,50	145	90	170	4,00	7,00
1703036	1743036	150	2,00	145	100	190	5,70	8,70
1704036	1744036	160	2,00	145	95	225	6,10	9,10
1705036	1745036	180	2,00	145	195	315	11,00	14,00
1706036	1746036	200	2,00	145	110	230	8,30	11,30
1707036	1747036	250	2,00	145	135	270	13,10	16,10
1708036	1747336	300	2,00	145	160	325	19,30	22,30

The item numbers stated are for branch diverters assembled using pull rings [f.b].

Branch diverters are also available for other assembly methods on request.