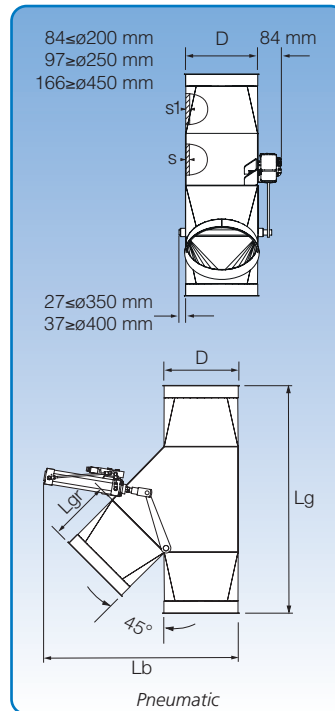
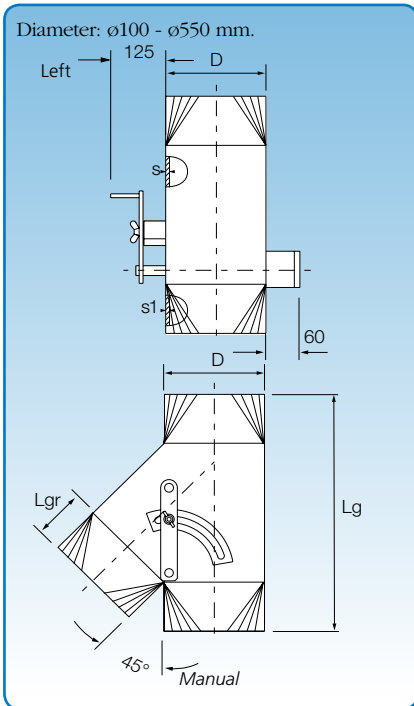


# 45° branch diverters, welded, manual and pneumatic.

Revised:

16.06.2020



### General

Diameter:  $\varnothing 80 - \varnothing 400$  mm.

Designed for falling and pneumatic transport.

Available with rubber gasket on damper plate for pneumatic transport.

Damper suspended on nylon bearings.

Supplied as standard with **left branch**.

### With pneumatic actuator

The damper is turned by a pneumatic cylinder controlled by an electrically-operated valve.

Solenoid valve: monostable 5/2 valve with 1 x 24 VDC electric coil. Pneumatic pressure: 4-6 bar. Valve setting indicators are available as an optional extra.

Dimensions									
Item no. (Man.)	Item no. (Pneu.)	D mm	s mm	s1 mm	Damper plate mm	Lg mm	Lgr mm	Weight (Man.) kg	Weight (Pneu.) kg
DIV/MAN/100	DIV/PNEU/100	100	3,00	2,00	4,00	360	105	2,80	5,80
DIV/MAN/120	DIV/PNEU/120	120	3,00	2,00	4,00	400	110	5,90	8,90
DIV/MAN/125	DIV/PNEU/125	125	3,00	2,00	4,00	400	110	5,30	8,30
DIV/MAN/140	DIV/PNEU/140	140	3,00	2,00	5,00	495	145	7,80	10,80
DIV/MAN/150	DIV/PNEU/150	150	3,00	2,00	5,00	495	145	7,80	10,80
DIV/MAN/160	DIV/PNEU/160	160	3,00	2,00	5,00	560	145	7,80	10,80
DIV/MAN/180	DIV/PNEU/180	180	3,00	2,00	5,00	560	145	13,40	16,40
DIV/MAN/200	DIV/PNEU/200	200	3,00	2,00	5,00	855	250	11,30	14,30
DIV/MAN/250	DIV/PNEU/250	250	3,00	2,00	6,00	1000	250	17,70	21,10
DIV/MAN/300	DIV/PNEU/300	300	4,00	3,00	6,00	1225	295	25,90	29,30
DIV/MAN/315	DIV/PNEU/315	315	4,00	3,00	6,00	1315	295	27,40	30,80
DIV/MAN/350	DIV/PNEU/350	350	4,00	3,00	6,00	1315	295	30,00	33,40
DIV/MAN/400	DIV/PNEU/400	400	4,00	3,00	6,00	1490	345	40,00	43,40
DIV/MAN/450	DIV/PNEU/450	450	4,00	3,00	6,00	1135	248	45,00	48,40
DIV/MAN/500	DIV/PNEU/500	500	4,00	3,00	6,00	1205	248	50,00	53,40
DIV/MAN/550	DIV/PNEU/550	550	4,00	3,00	6,00	275	248	55,00	58,40

The item numbers stated are for branch diverters assembled using pull rings [f.b].

Branch diverters are also available for other assembly methods on request.