

# Transition pieces , galvanised.

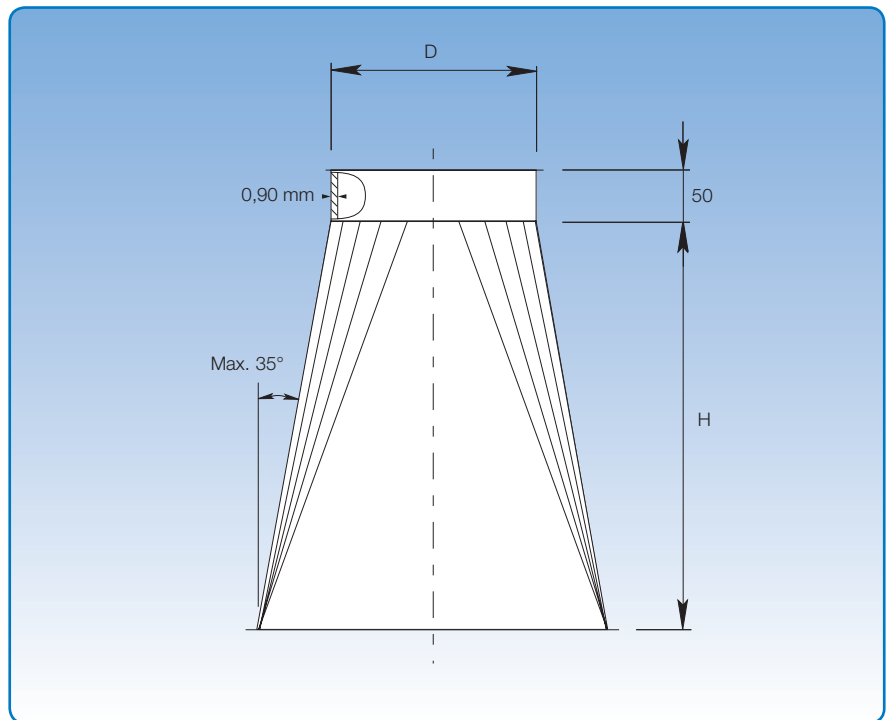
Revised: 16.06.2020

Diameter:  $\varnothing 80 - \varnothing 900$  mm.

Transition pieces are spot welded and made of 0.90 mm galvanised sheet metal.

Transition pieces can be made to order in other dimensions, and can be made asymmetrical.

State dimensions for BU  $\times$  LU and D plus assembly method when ordering (p. 6).



### Calculating H:

$$H = 240 + 0,5 \times (\text{max. value of LU} - D) \text{ or } (BU - D)$$

### Example

$$D = 350, LU = 400, BU = 600, EXL = 200, EXB = 300$$

$$H = 240 + (0,5 \times 250) = 240 + 125$$

$$H = 365 \text{ mm}$$

