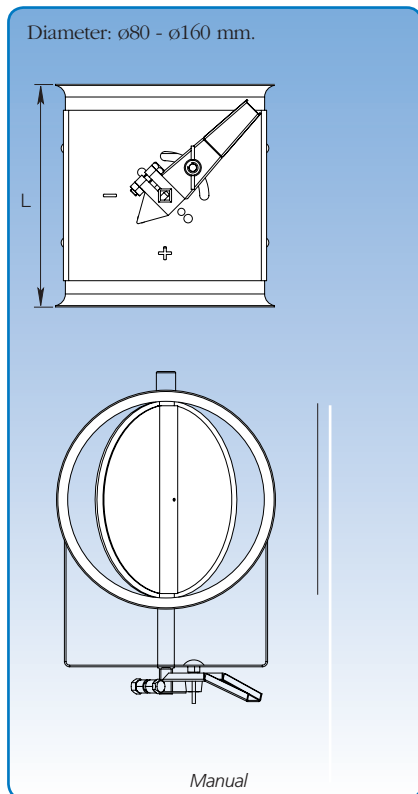


Throttle valves , galva nise d , manual .

Revised: 16.06.2020



Item no. (Man.)	Dimensions				
	D mm	L mm	Weight (Man.) kg	Weight (Pneu.) kg	Weight (Elec.) kg
GTV080	80	125	0,65	1,90	1,60
GTV100	100	125	0,75	2,00	1,70
GTV120	120	135	0,90	2,15	1,85
GTV140	140	170	1,15	2,40	2,10
GTV150	150	170	1,25	2,50	2,20
GTV160	160	170	1,35	2,60	2,30
GTV180	180	210	1,90	2,85	3,55
GTV200	200	210	2,20	3,15	3,85
GTV225	225	240	2,55	3,60	4,20
GTV250	250	265	3,05	4,00	5,05
GTV275	275	290	3,50	4,50	5,50
GTV300	300	315	4,30	5,20	6,30
GTV350	350	365	4,77	6,30	6,50
GTV400	400	415	5,50	7,60	7,50
GTV450	450	465	6,10	9,30	9,70
GTV500	500	515	13,10	11,03	11,45

General

Galvanised throttle valves are made of 0,90 mm sheet metal and damper in double sheet. Throttle handle indicates damper position, and can be variably set between open and closed.

Available with natural rubber gasket.

Maximum closure 96%.

Larger throttle valves can be supplied upon request.

The item numbers stated are for throttle valves assembled using pull rings [f.b].

Throttle valves are also available for other assembly methods on request.