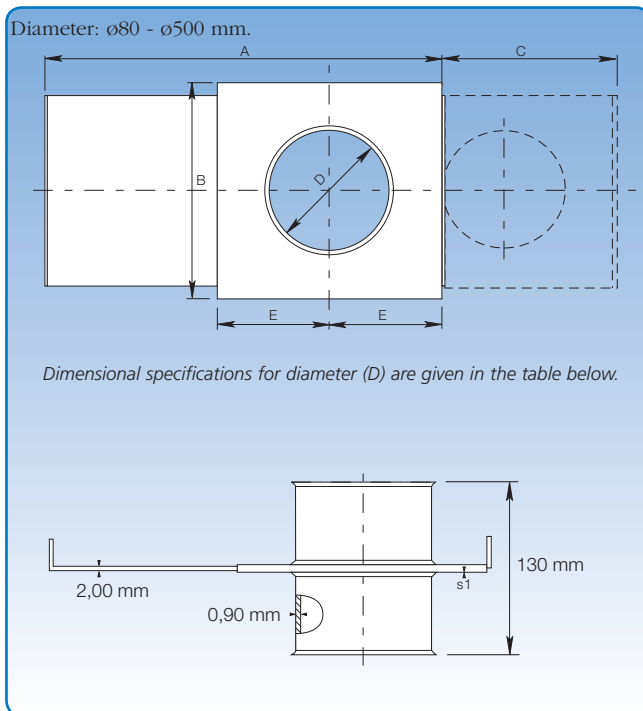


## Sliding dampers , galvanised , manual .

Revised:

16.06.2020



Dimensional specifications for integration length (L) are given in the table below.

Sliding dampers are made of 1.25 and 1.50 mm galvanised sheet metal with a damper of 2.00 mm galvanised sheet metal.

| Item no.<br>(Man.) | Dimensions |          |         |         |         |         | Weight<br>kg |
|--------------------|------------|----------|---------|---------|---------|---------|--------------|
|                    | D<br>mm    | s1<br>mm | A<br>mm | B<br>mm | C<br>mm | E<br>mm |              |
| GSD080             | 80         | 1,25     | 255     | 145     | 105     | 75      | 1,10         |
| GSD100             | 100        | 1,25     | 340     | 185     | 150     | 95      | 1,60         |
| GSD120             | 120        | 1,25     | 340     | 185     | 150     | 95      | 1,70         |
| GSD140             | 140        | 1,25     | 405     | 225     | 175     | 115     | 2,40         |
| GSD150             | 150        | 1,25     | 405     | 225     | 175     | 115     | 2,30         |
| GSD160             | 160        | 1,25     | 405     | 225     | 175     | 115     | 2,30         |
| GSD180             | 180        | 1,25     | 525     | 295     | 225     | 150     | 3,80         |
| GSD200             | 200        | 1,25     | 525     | 295     | 225     | 150     | 4,00         |
| GSD225             | 225        | 1,50     | 590     | 325     | 270     | 160     | 4,60         |
| GSD250             | 250        | 1,50     | 650     | 350     | 300     | 175     | 5,20         |
| GSD275             | 275        | 1,50     | 705     | 380     | 325     | 190     | 6,40         |
| GSD300             | 300        | 1,50     | 755     | 400     | 345     | 205     | 6,50         |
| GSD350             | 350        | 1,50     | 885     | 450     | 435     | 200     | 7,60         |
| GSD400             | 400        | 1,50     | 960     | 500     | 460     | 250     | 9,30         |
| GSD450             | 450        | 1,50     | 1050    | 550     | 500     | 275     | 10,70        |
| GSD500             | 500        | 1,50     | 1160    | 600     | 550     | 300     | 14,10        |

The item numbers stated are for sliding dampers assembled using pull rings [f.b].

Sliding dampers are also available for other assembly methods on request.