

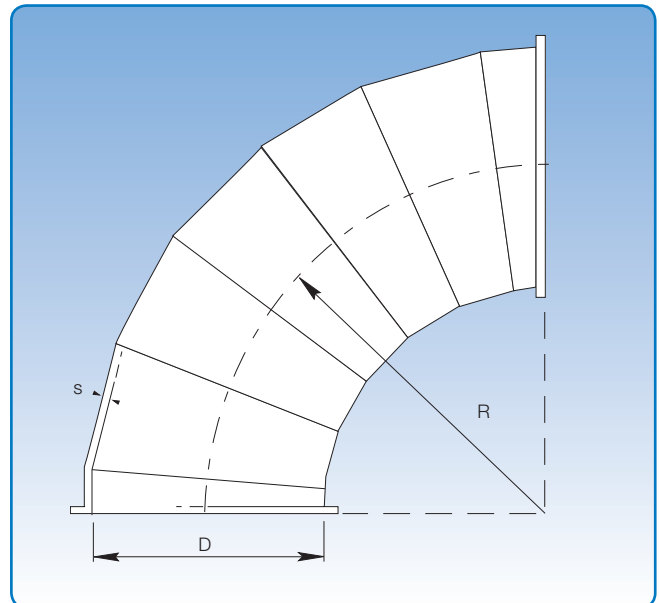
Segment bends , galvanised.

Revised: 16.06.2020

Diameter: $\phi 450$ - $\phi 900$ mm.

Galvanised segment bends are made from 0.90 mm and 1 mm sheet metal (s).

They are available in other radii and dimensions to order.



Dimensional specifications are given in the table below.
 $R = 1.5 \times D$ for all dimensions.

		Dimensions							
D mm	s mm	90°		60°		45°		30°	
		Item no.	kg	Item no.	kg	Item no.	kg	Item no.	kg
450	0,90	GB450/90	12,00	GB450/60	9,00	GB450/45	6,00	GB450/30	4,50
500	0,90	GB500/90	15,00	GB500/60	11,20	GB500/45	7,50	GB500/30	5,60
550	0,90	GB550/90	18,00	GB550/60	13,50	GB550/45	9,00	GB550/30	6,80
600	0,90	GB600/90	21,50	GB600/60	16,10	GB600/45	10,75	GB600/30	8,05
650	0,90	GB650/90	25,00	GB650/60	18,80	GB650/45	12,50	GB650/30	9,40
700	0,90	GB700/90	29,00	GB700/60	21,80	GB700/45	14,50	GB700/30	10,90
750	0,90	GB750/90	33,00	GB750/60	24,80	GB750/45	16,50	GB750/30	12,40
800	1,00	GB800/90	37,50	GB800/60	28,10	GB800/45	18,75	GB800/30	14,05
850	1,00	GB850/90	42,50	GB850/60	32,00	GB850/45	21,25	GB850/30	16,00
900	1,00	GB900/90	48,00	GB900/60	36,00	GB900/45	24,00	GB900/30	18,00

Item numbers designated $D \leq 600$ mm are for segment bends assembled using pull rings [f.b]. Item numbers designated $D \geq 650$ mm are for ducts with loose flanges [f.b.m.fl].

Segment bends are also available for other assembly methods on request.