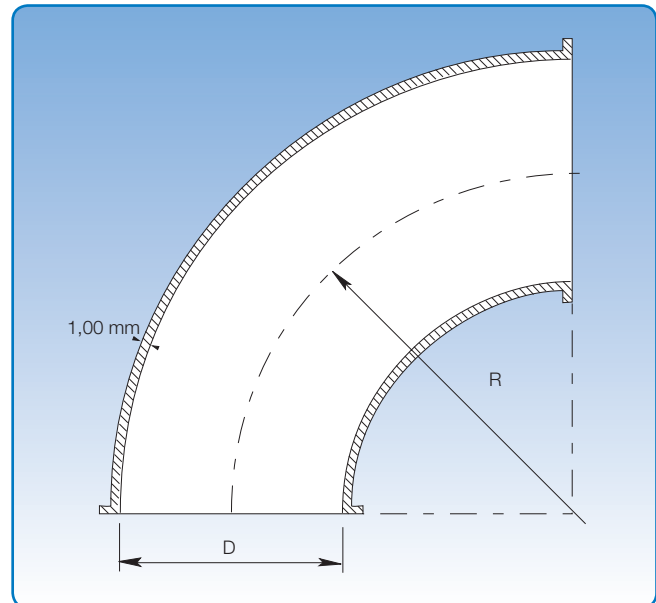


Pressed bends , galvanised.

Revised: 16.06.2020

Diameter: $\varnothing 80 - \varnothing 400$ mm.

Galvanised bends are made of 1mm sheet metal.



Dimensional specifications are given in the table below. Diameter = (D).
 $R = 1.5 \times D$ for all dimensions.

D mm	Dimensions							
	90°		60°		45°		30°	
	Item no.	kg	Item no.	kg	Item no.	kg	Item no.	kg
80	GB080/90	0,44	GB080/60	0,24	GB080/45	0,20	GB080/30	0,12
100	GB100/90	0,62	GB100/60	0,40	GB100/45	0,30	GB100/30	0,20
120	GB120/90	0,90	GB120/60	0,60	GB120/45	0,40	GB120/30	0,30
140	GB140/90	1,10	GB140/60	0,80	GB140/45	0,55	GB140/30	0,40
150	GB150/90	1,50	GB150/60	0,90	GB150/45	0,70	GB150/30	0,50
160	GB160/90	1,70	GB160/60	1,10	GB160/45	0,80	GB160/30	0,50
180	GB180/90	2,00	GB180/60	1,30	GB180/45	1,00	GB180/30	0,70
200	GB200/90	2,50	GB200/60	1,85	GB200/45	1,25	GB200/30	1,00
225	GB225/90	3,00	GB225/60	2,00	GB225/45	1,60	GB225/30	1,20
250	GB250/90	4,00	GB250/60	3,00	GB250/45	2,00	GB250/30	1,50
275	GB275/90	4,80	GB275/60	3,60	GB275/45	2,40	GB275/30	1,80
300	GB300/90	5,90	GB300/60	3,90	GB300/45	2,90	GB300/30	2,00
350	GB350/90	7,30	GB350/60	4,80	GB350/45	3,70	GB350/30	2,55
400	GB400/90	10,20	GB400/60	6,70	GB400/45	5,10	GB400/30	3,60

The item numbers stated are for bends assembled using pull rings [f.b].

Bends are also available for other assembly methods on request.