

Jet caps , galva nised .

Revised: 16.06.2020

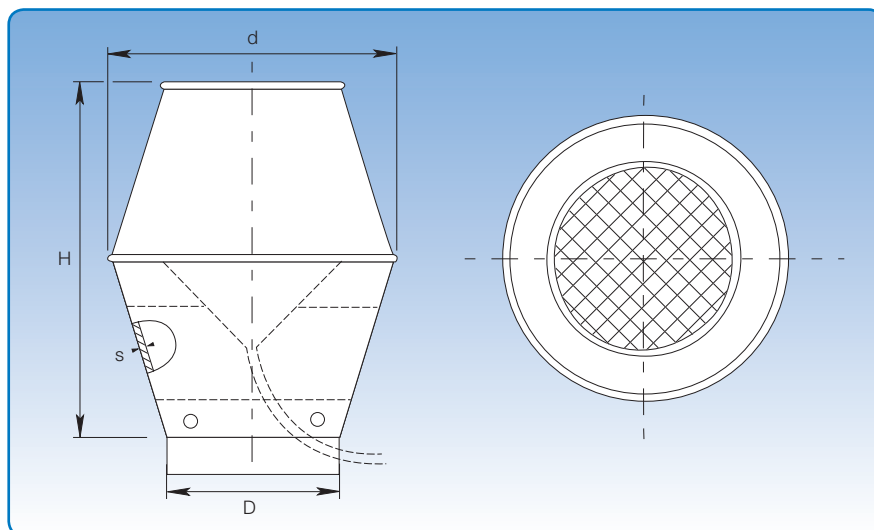
Diameter: $\phi 120 - \phi 900$ mm.

Supplied with the same Indusvent assembly methods as duct systems.

Jet caps from diameter $\phi 700 - \phi 900$ mm are fitted with flanges as standard.

Jet caps are fitted with an internal cone and drain hose for disposal of water.

See next page for pressure loss curves.



Dimensional specifications are given in the table below.

Dimensions

Item no.	D mm	d mm	s mm	H mm	Weight kg
GJC120	120	185	0,75	325	3,00
GJC140	140	215	0,75	365	3,80
GJC150	150	230	0,90	390	4,00
GJC160	160	245	0,90	410	5,00
GJC180	180	275	0,90	445	5,40
GJC200	200	305	0,90	490	4,00
GJC225	225	345	0,90	535	4,80
GJC250	250	380	0,90	590	5,70
GJC275	275	420	0,90	640	9,00
GJC300	300	460	0,90	690	8,00
GJC350	350	535	0,90	785	10,70
GJC400	400	610	0,90	885	13,50
GJC450	450	690	0,90	985	16,70
GJC500	500	765	0,90	1095	21,00
GJC550	550	840	0,90	1200	28,00
GJC600	600	915	0,90	1300	36,00
GJC650	650	990	0,90	1390	42,00
GJC700	700	1070	1,25	1505	49,00
GJC750	750	1145	1,25	1595	56,00
GJC800	800	1220	1,25	1695	68,00
GJC850	850	1295	1,25	1795	80,00
GJC900	900	1375	1,25	1900	100,00

Item numbers designated with $D \leq 650$ mm are for jet caps assembled with wide pull rings [f.lyr].

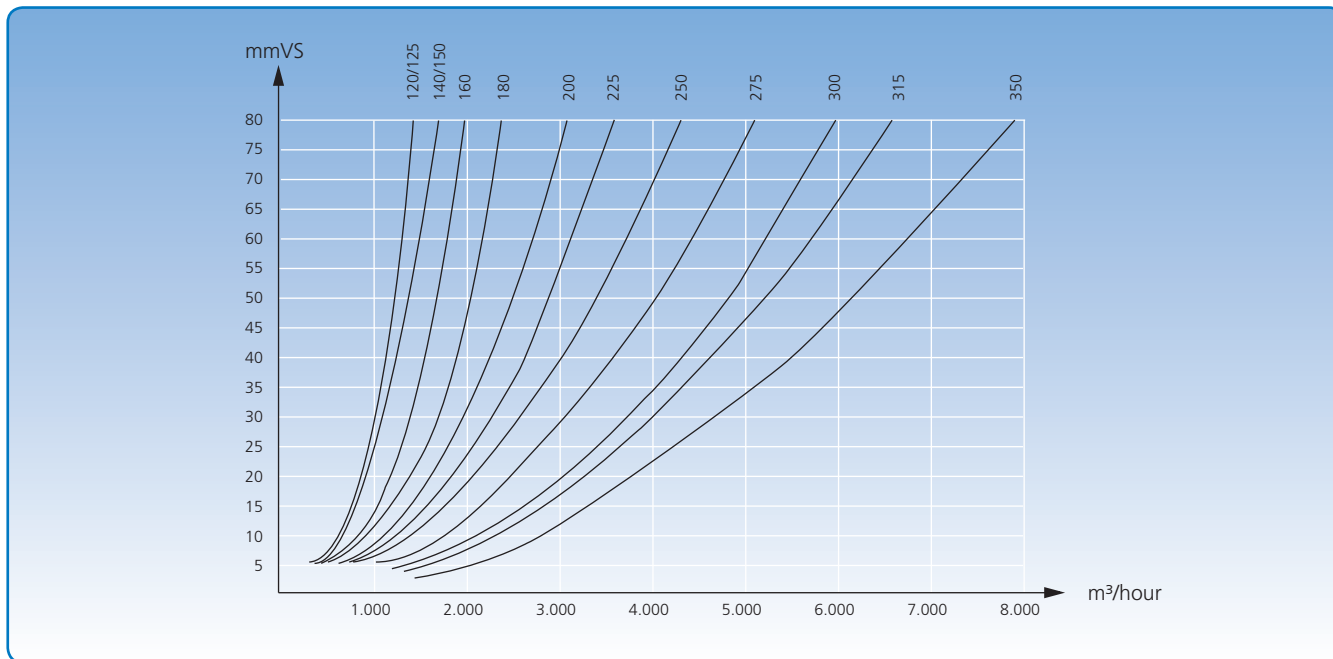
Jet caps are also available for other assembly methods on request.

Jet caps, galvanised

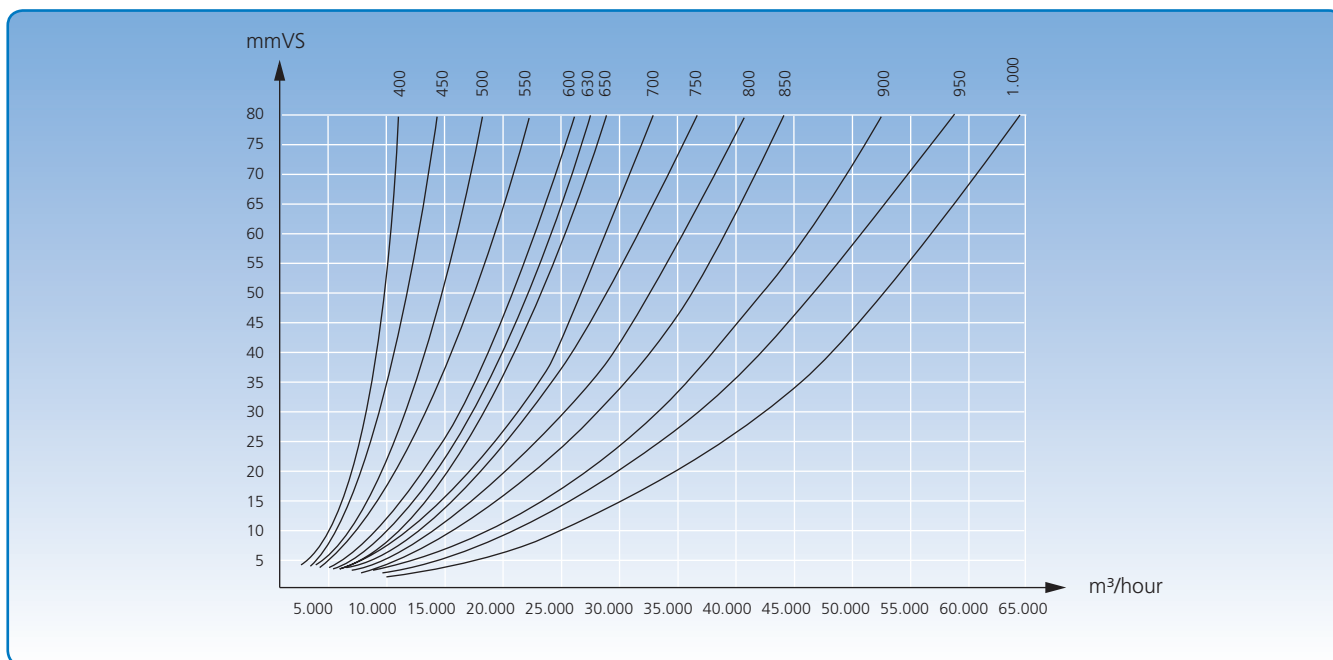
Technical data

Revised:

16.06.2020



Pressure loss curves for diameter $\varnothing 120 - \varnothing 350$ mm.



Pressure loss curves for diameter $\varnothing 400 - \varnothing 1000$ mm.