

Flanges.

Revised:

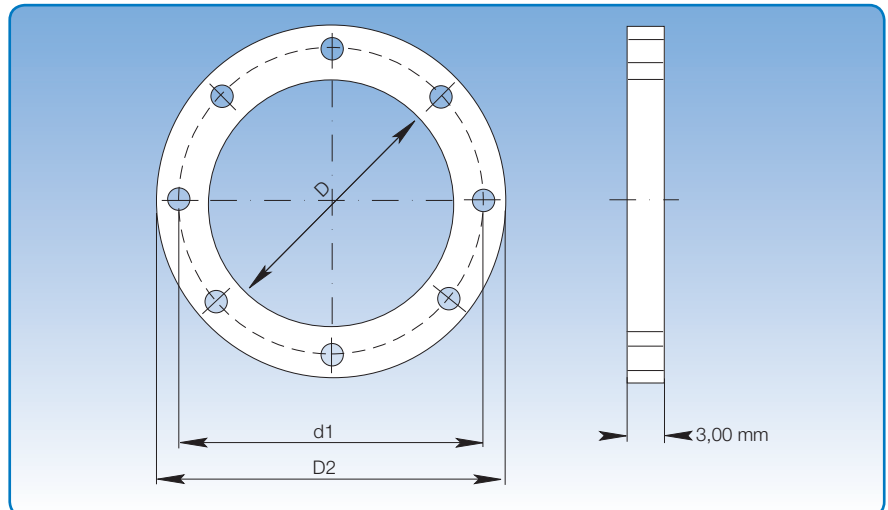
16.06.2020

Diameter: $\varnothing 80 - \varnothing 900$ mm.

Flanges are made in accordance with Indusvent's standard, and are a standard component in the product range.

Flanges are stock items in hot dip galvanised finish, but can be supplied either untreated or painted.

Flanges in other dimensions or profiles are available to order.



Dimensional specifications are given in the table below.

Item no.	Diameter: nominal	Dimensions					Flange width mm	Hole size mm	Quant. holes	Weight kg
		D mm	d1 mm	D2 mm	s mm					
GF080	80	83	115	133	3,00	25	9	8	0,26	
GF100	100	103	135	153	3,00	25	9	8	0,31	
GF120	120	123	155	173	3,00	25	9	8	0,36	
GF140	140	143	175	193	3,00	25	9	8	0,41	
GF150	150	155	185	205	5,00	25	9	8	0,55	
GF160	160	165	195	215	5,00	25	9	8	0,58	
GF180	180	185	215	235	5,00	25	9	8	0,64	
GF200	200	205	235	255	5,00	25	9	12	0,70	
GF225	225	230	260	280	5,00	25	9	12	0,75	
GF250	250	255	285	305	5,00	25	9	12	0,85	
GF275	275	280	310	330	5,00	25	9	12	0,96	
GF300	300	305	336	355	5,00	25	9	12	1,01	
GF350	350	355	389	415	6,00	26	11	12	1,64	
GF400	400	405	439	465	6,00	30	11	16	1,85	
GF450	450	455	389	515	6,00	30	11	16	2,04	
GF500	500	505	540	565	6,00	30	11	16	2,30	
GF550	550	555	590	615	6,00	30	11	16	2,50	
GF600	600	605	640	665	6,00	30	11	16	2,80	
GF650	650	655	690	715	6,00	30	11	24	3,00	
GF700	700	705	750	785	6,00	40	11	24	4,30	
GF750	750	755	800	835	6,00	40	11	24	4,50	
GF800	800	805	850	885	6,00	40	11	24	4,90	
GF850	850	855	900	935	6,00	40	11	24	5,20	
GF900	900	905	950	985	6,00	40	11	24	5,50	