

## Fan types JK-40K - JK-75K

Page: 1/5  
Revised: 15.06.2020

The indirect drive centrifugal fan types JK-40K - JK-75K are designed for material handling.

Equipped with self-cleaning impellers with backward-inclined blades and aerodynamic intake. The impellers are statically and dynamically balanced.

The pulleys are shaft-mounted with taperlock bushing, allowing easy replacement for changed fan speed.

Max. operating temperature: 60°C  
With cooling wings: Up to 200°C

Number of blades are reduced by 2 for paper impeller.

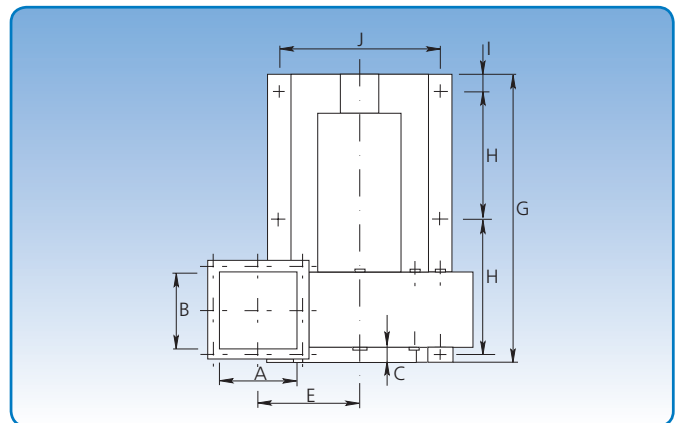
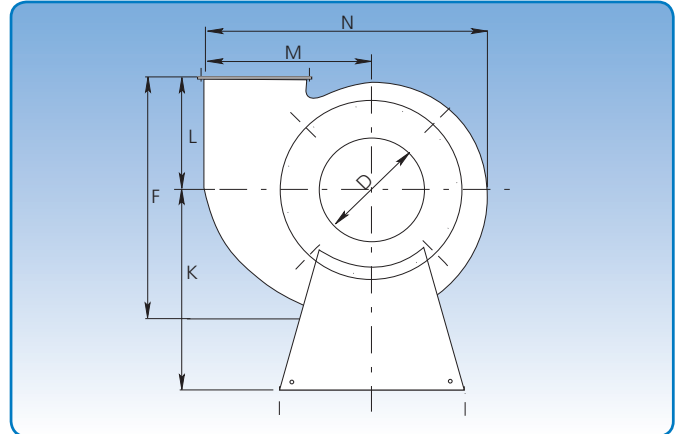
Available in anti-spark version with stainless steel inlet and explosion-proof (Eex) motor.

Dimensions (D) for the inlet are external. Supplied smooth.

Belt drive is anti-static.

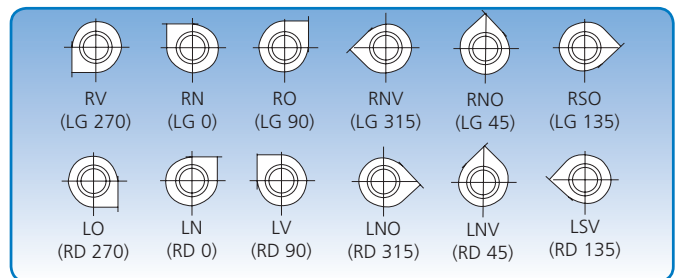
Specific dimensions for the outlet flanges can be found under "Flanges".

The technical data for each type appears on the following pages.



### Steel plate dimensions in mm

Type	JK-40K - JK-45K	JK-55K - JK-75K
Impeller - standard	5	6
Impeller - reinforced	8	8
Fan housing - standard	3	4
Fan housing - reinforced	8	8



6 positions. The position illustrations are viewed from the inlet side.

Type	Dimensions														Weight without motor kg
	A mm	B mm	C mm	D mm	E mm	F mm	G mm	H mm	I mm	J mm	K mm	L mm	M mm	N mm	
JK-40K	250	250	55	400	330	740	1110	494	55	550	650	326	462	824	200
JK-45K	339	339	55	450	395	885	1207	528	55	672	720	375	570	1013	300
JK-55K	418	418	60	550	500	1095	1540	700	59	825	955	468	715	1250	532
JK-75K	700	550	60	750	442	1310	1875	855	70	850	1125	600	800	1410	597

## Fan type JK-40K Technical data

Motor: IP 55

Supplied with the following motor:

kW	hp	amp.	Weight of motor kg
15	20	28,2	83

**Max. RPM:**

Standard impeller: 3,435 RPM

Reinforced impeller: 2,600 RPM

**Operating range:**

Air volume: 5,000 – 11,000 m<sup>3</sup>/h

Pressure: 1400 – 5400 Pa

**Power supply:**

400 V - 50 Hz.

**Construction:**

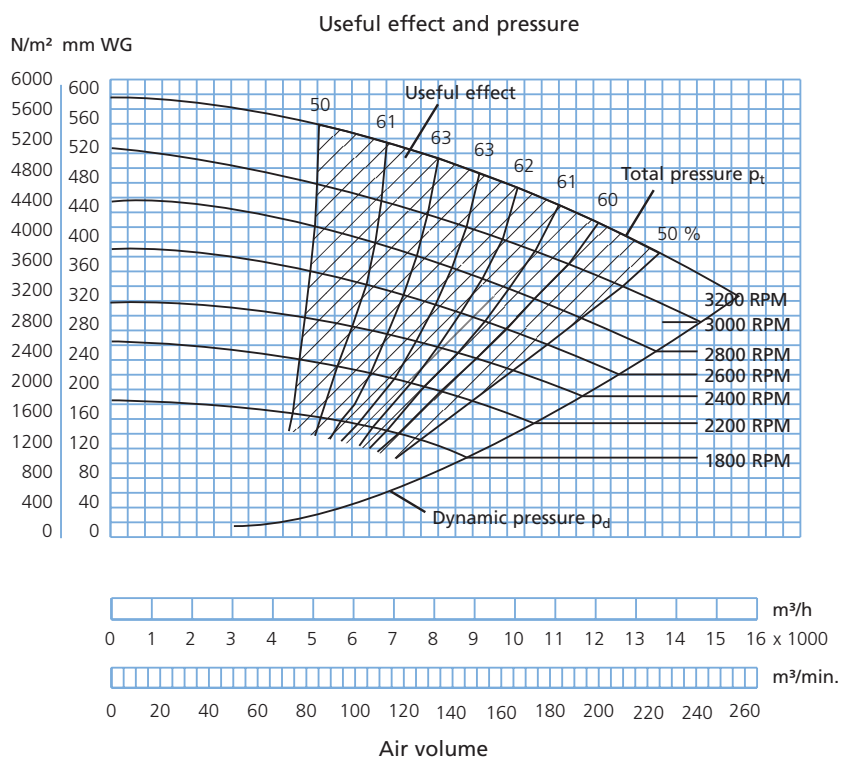
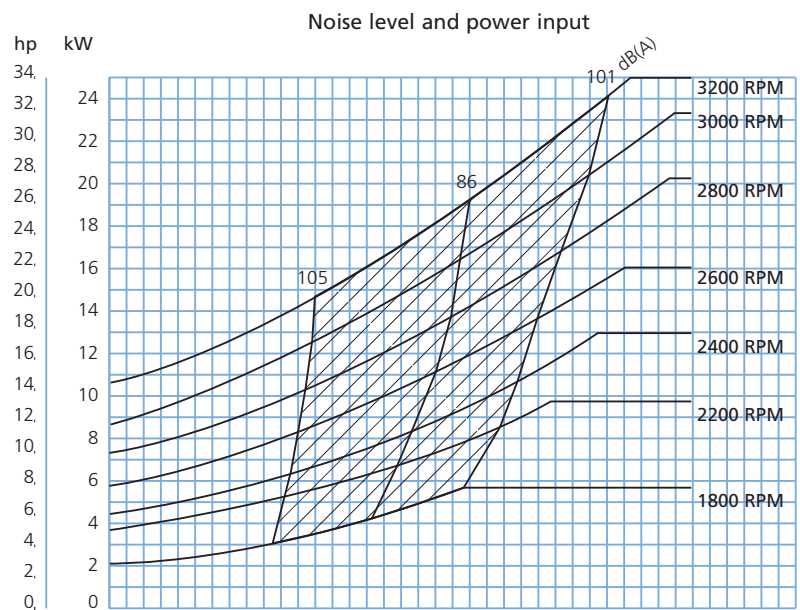
B3 - motor mounted on foot.

**Impeller:**

No. of blades, standard: 8 pcs.

Diameter: ø500 mm

Height: 189 mm



# Fan type JK-45K

## Technical data

Page: 3/5  
Revised: 15.06.2020

Motor: IP 55

Supplied with the following motors:

kW	hp	amp.	Weight of motor kg
18,5	25,0	34,4	87
22,0	30,0	40,0	165

**Max. RPM:**

Standard impeller: 2.450 RPM

Reinforced impeller: 1.850 RPM

**Operating range:**

Air volume: 6,000 - 20,000 m<sup>3</sup>/h

Pressure: 1800 - 5200 Pa

**Power supply:**

400 V - 50 Hz.

**Construction:**

B3 - motor mounted on foot.

**Impeller:**

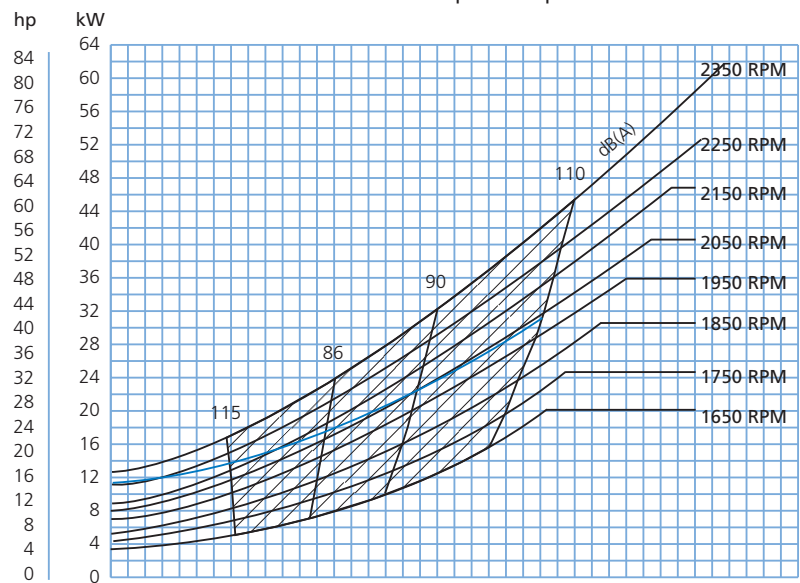
No. of blades, standard: 8 pcs.

Diameter: ø650 mm

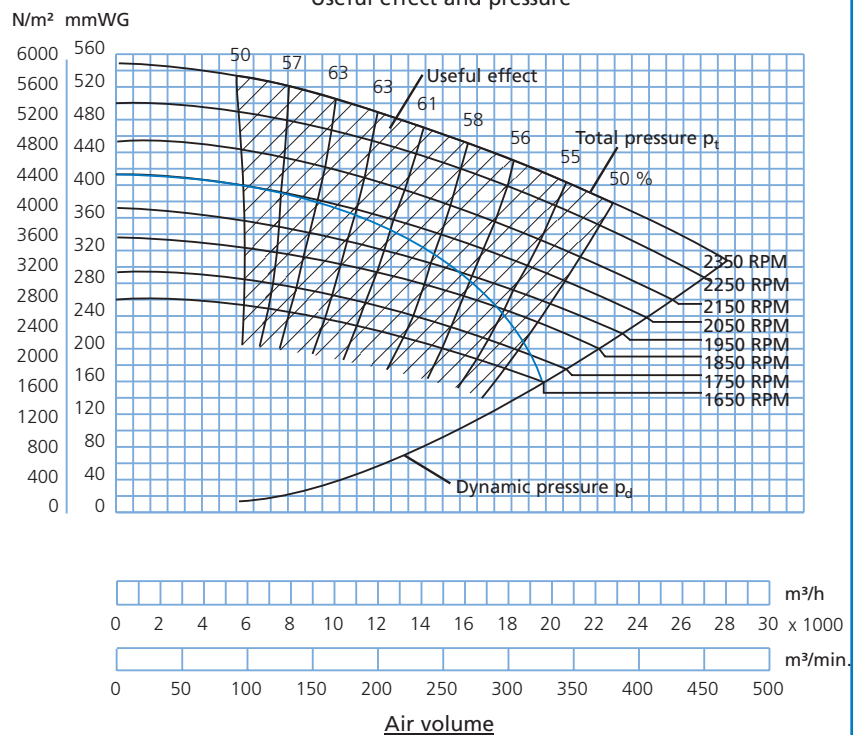
Height: 259 mm

The blue curve applies for 6-bladed impeller and at 1950 RPM.

Noise level and power input



Useful effect and pressure



# Fan type JK-55K

## Technical data

Motor: IP 55

Supplied with the following motors:

kW	hp	amp.	Weight of motor kg
30,0	40,0	53	230
37,0	50,0	67	300
45,0	60,0	80	330

**Max. RPM:**

Standard impeller: 2.050 RPM

Reinforced impeller: 2.050 RPM

**Operating range:**

Air volume: 8,000 - 29,000 m<sup>3</sup>/h

Pressure: 1600 - 6000 Pa

**Power supply:**

400 V - 50 Hz.

**Construction:**

B3 - motor mounted on foot.

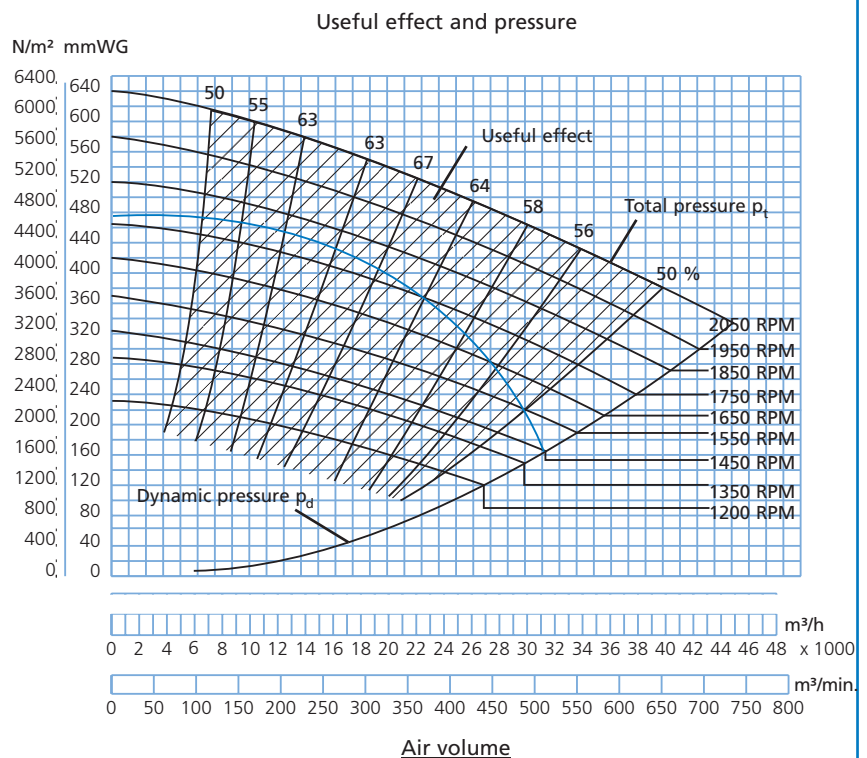
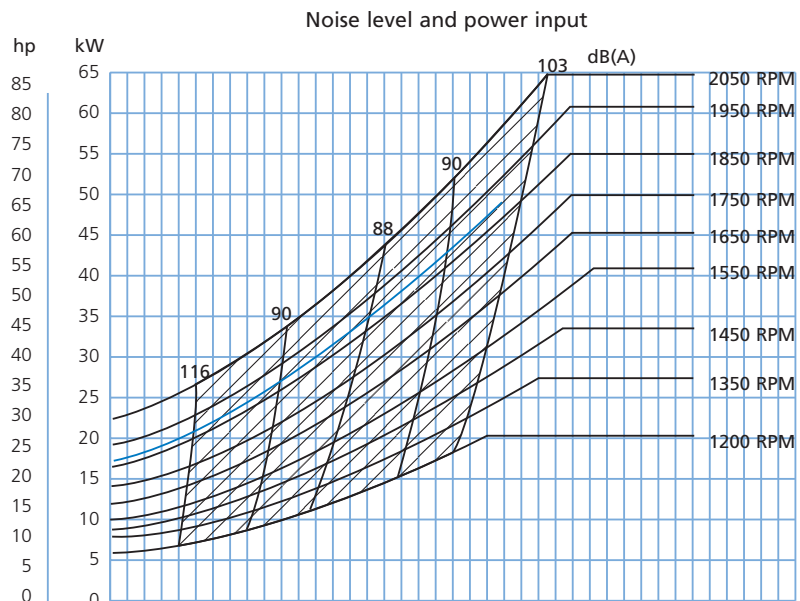
**Impeller:**

No. of blades, standard: 8 pcs.

Diameter: ø800 mm

Height: 320 mm

The blue curve applies for 6-bladed impeller and at 1850 RPM.



## Fan type JK-75K Technical data

Motor: IP 55

Supplied with the following motors:

kW	hp	amp.	Weight of motor kg
55,0	75,0	97,0	435
75,0	103,0	133,0	610

**Max. RPM:**

Standard impeller: 2,050 RPM

Reinforced impeller: 1,450 RPM

**Operating range:**

Air volume: 25,000 – 40,000 m<sup>3</sup>/h

Pressure: 2,000 – 3,700 Pa

**Power supply:**

400 V - 50 Hz.

**Construction:**

B3 - motor mounted on foot.

**Impeller:**

No. of blades, standard: 8 pcs.

Diameter: ø890 mm

Height: 430 mm

