

## Fan types JK-25D - JK-40D

Page: 1/5  
Revised: 15.06.2020

The direct drive centrifugal fan types JK-25D - JK-40D are designed for material handling.

Equipped with self-cleaning impellers with backward-inclined blades and aerodynamic intake. The impellers are statically and dynamically balanced.

Max. operating temperature: 60°C

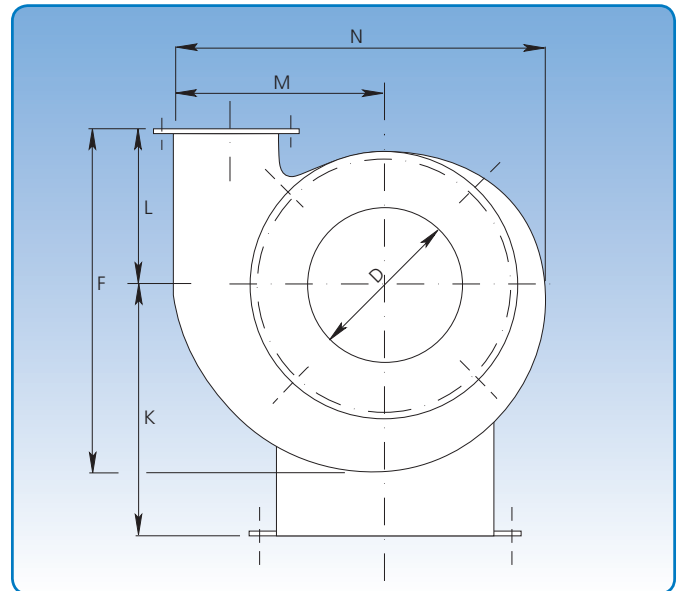
Number of blades are reduced by 2 for paper impeller.

Available in anti-spark version with stainless steel inlet and explosion-proof (Eex) motor.

Dimensions (D) for the inlet are external. Supplied smooth.

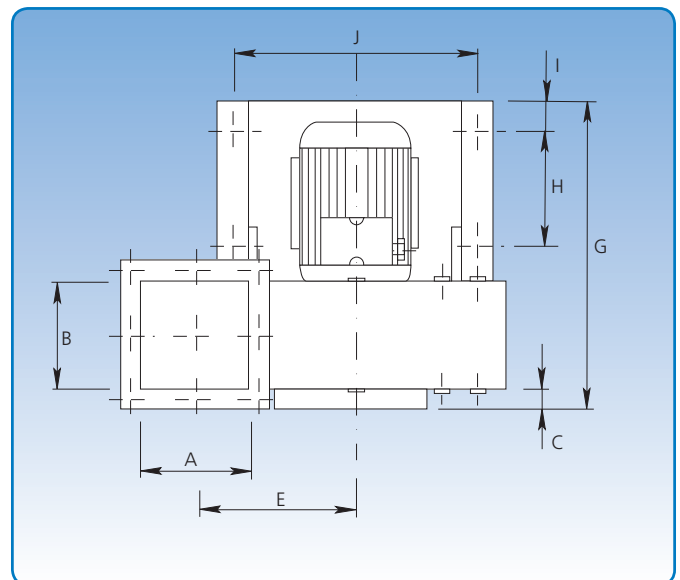
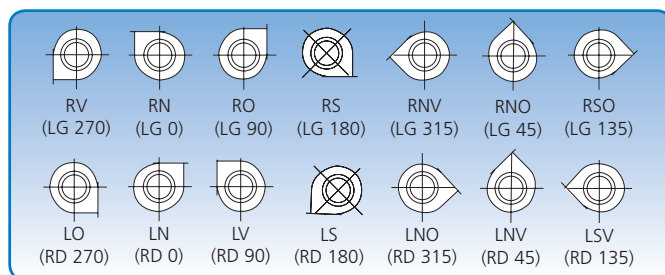
Specific dimensions for the outlet flanges can be found under "Flanges".

The technical data for each type appears on the following pages.



### Steel plate dimensions in mm

Type	JK-25D - JK-30D	JK-35D - JK-40D
Impeller - standard	4	5
Impeller - reinforced	8	8
Fan housing - standard	3	3
Fan housing - reinforced	6	8



7 positions. The position illustrations are viewed from the inlet side.

Type	Dimensions														Weight without motor kg
	A mm	B mm	C mm	D mm	E mm	F mm	G mm	H mm	I mm	J mm	K mm	L mm	M mm	N mm	
JK-20D	140	140	33	200	207	448	400	141	40	317	325	198	284	500	27
JK-22D	166	166	29	225	220	500	475	192	40	326	340	224	310	552	34
JK-25D	186	186	30	250	248	582	530	210	50	356	384	273	348	618	45
JK-30D	206	206	36	300	267	631	577	230	50	356	415	293	377	676	50
JK-35D	225	225	45	350	320	670	735	360	50	390	515	293	438	770	73
JK-40D	251	251	55	400	330	740	795	400	50	488	500	326	462	824	88

# Fan type JK-25D

## Technical data

Motor: IP 55

Supplied with the following motors:

kW	hp	amp.	Weight of motor kg
4,0	5,5	7,7	31

**Max. RPM:**

Standard impeller: 3.200 RPM

Reinforced impeller: 2.865 RPM

**Operating range:**

Air volume: 1,500 - 4,500 m<sup>3</sup>/h

Pressure: 1600 - 2400 Pa

**Power supply:**

400 V - 50 Hz.

**Construction:**

B3 - motor mounted on foot.

**Variants:**

Fan can be powered by flange motor  
- type B5/B14.

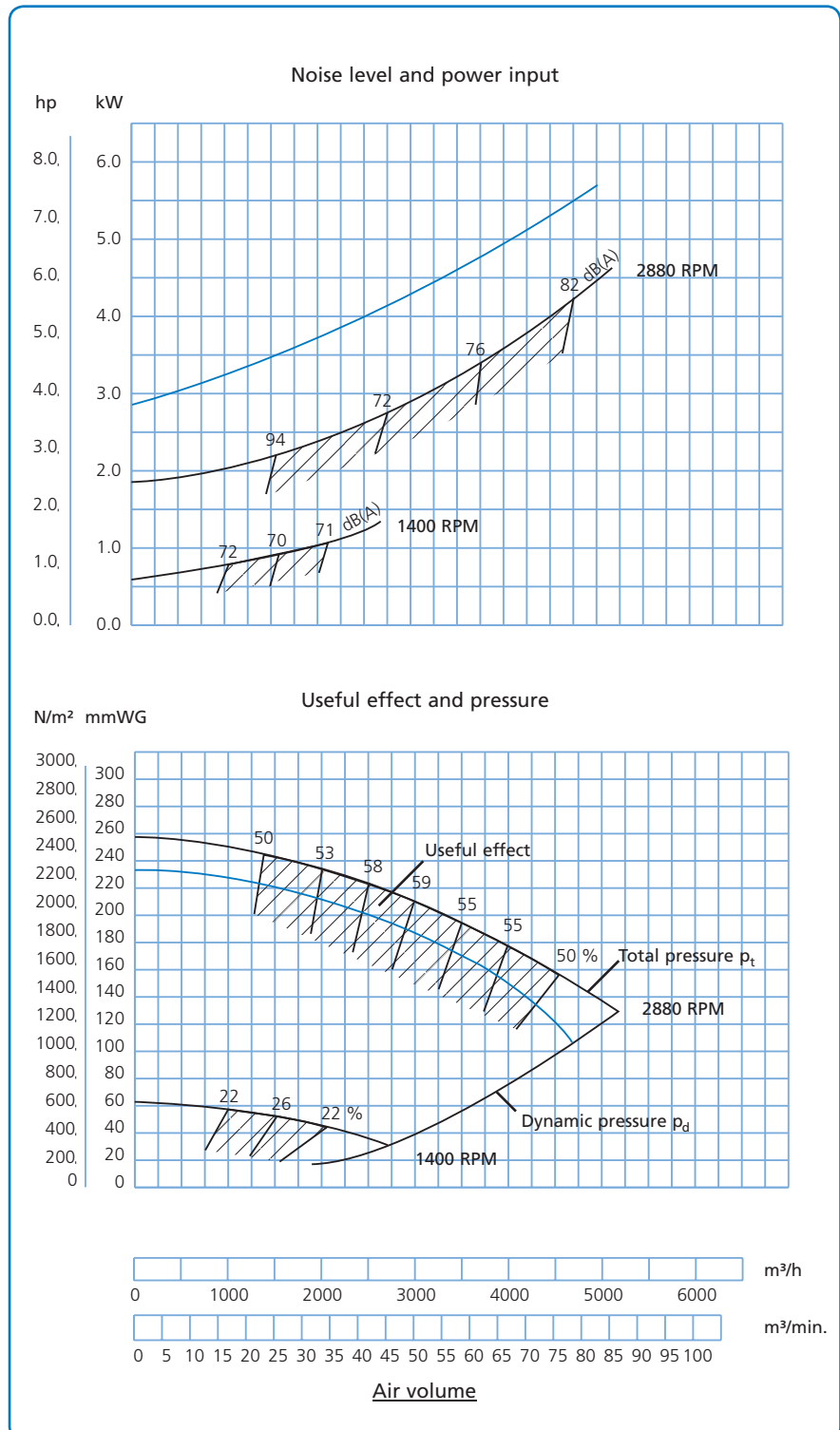
**Impeller:**

No. of blades, standard: 8 pcs.

Diameter: ø360 mm

Height: 143 mm

The blue curve applies for 6-bladed impeller.



## Fan type JK-30D Technical data

Motor: IP 55

Supplied with the following motors:

kW	hp	amp.	Weight of motor kg
7,5	10,0	14,7	49

**Max. RPM:**

Standard impeller: 3.200 RPM  
Reinforced impeller: 2.895 RPM

**Operating range:**

Air volume: 2,500 - 6,500 m<sup>3</sup>/h  
Pressure: 2000 - 2900 Pa

**Power supply:**

400 V - 50 Hz.

**Construction:**

B3 - motor mounted on foot.

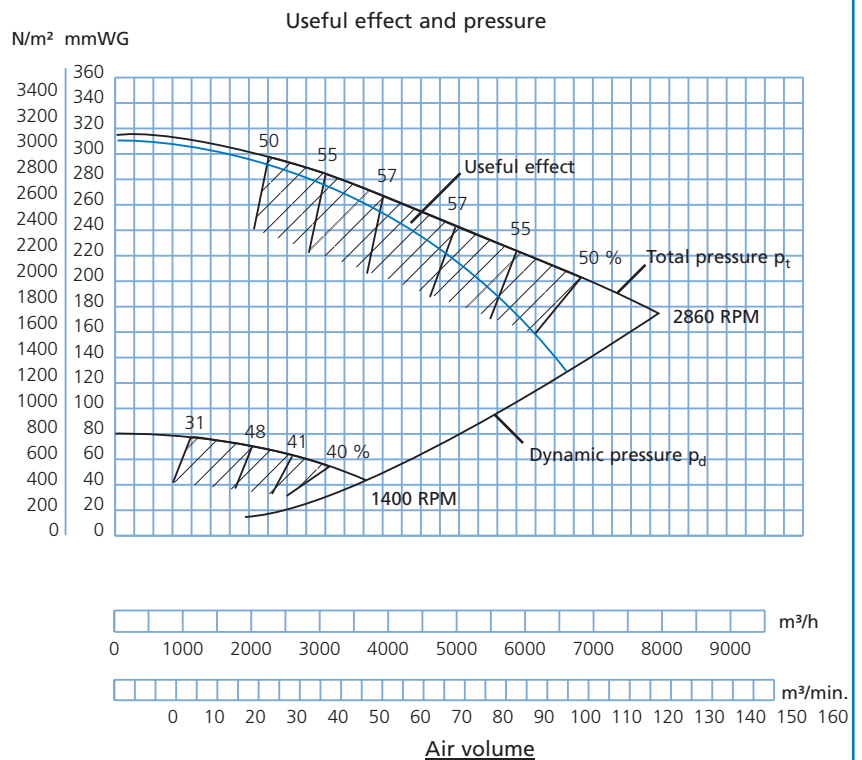
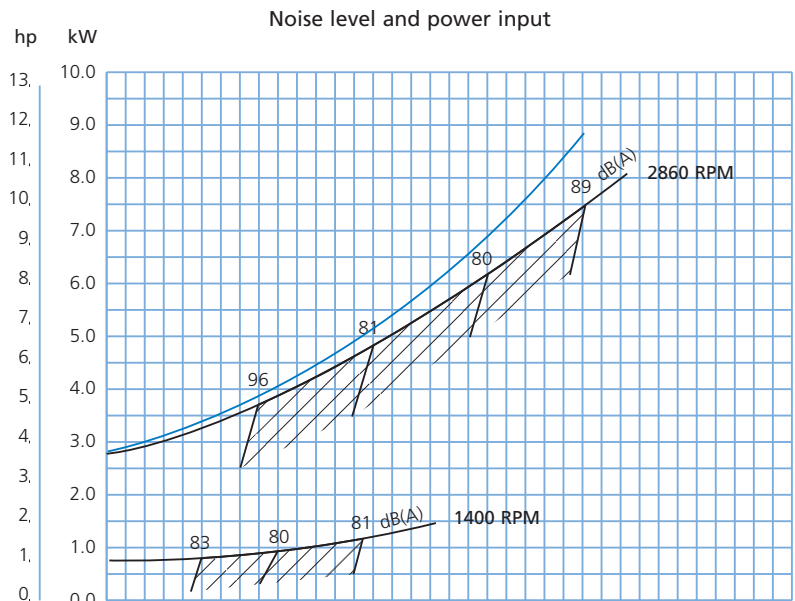
**Variants:**

Fan can be powered by flange motor  
- type B5/B14.

**Impeller:**

No. of blades, standard: 8 pcs.  
Diameter:  $\varnothing$ 410 mm  
Height: 154 mm

The blue curve applies for 6-bladed impeller.



## Fan type JK-35D Technical data

Motor: IP 55

Supplied with the following motors:

kW	hp	amp.	Weight of motor kg
15	20	28,2	83

**Max. RPM:**

Standard impeller: 3.200 RPM

Reinforced impeller: 2.915 RPM

**Operating range:**

Air volume: 3.000 - 8.500 m<sup>3</sup>/h

Pressure: 2600 - 3750 Pa

**Power supply:**

400 V - 50 Hz.

**Construction:**

B3 - motor mounted on foot.

**Variants:**

Fan can be powered by flange motor - type B5/B14.

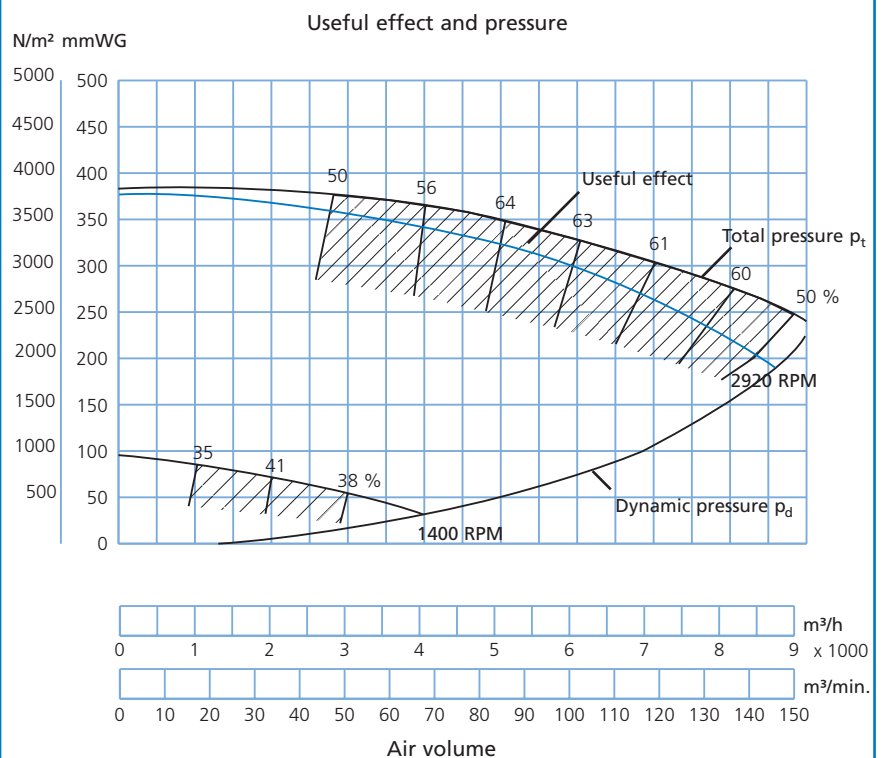
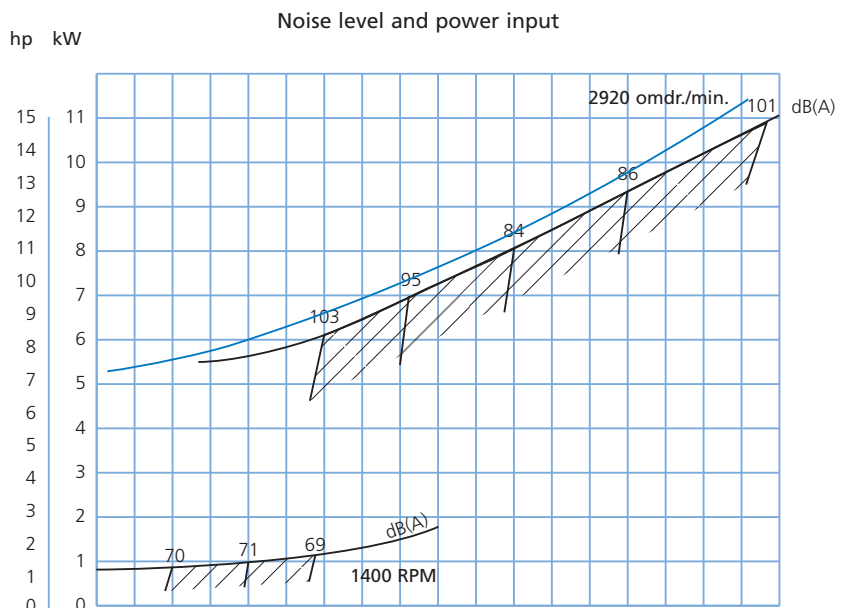
**Impeller:**

No. of blades, standard: 8 pcs.

Diameter: ø450 mm

Height: 185 mm

The blue curve applies for 6-bladed impeller.



## Fan type JK-40D Technical data

Motor: IP 55

Supplied with the following motors:

kW	hp	amp.	Weight of motor kg
18,5	25	34.4	87

**Max. RPM:**

Standard impeller: 3.200 RPM  
Reinforced impeller: 2.930 RPM

**Operating range:**

Air volume: 5,000 - 11,000 m<sup>3</sup>/h  
Pressure: 3,400 - 4,400 Pa

**Power supply:**

400 V - 50 Hz.

**Construction:**

B3 - motor mounted on foot.

**Variants:**

Fan can be powered by flange motor - type B5/B14.

**Impeller:**

No. of blades, standard: 8 pcs.  
Diameter:  $\varnothing$ 500 mm  
Height: 185 mm

The blue curve applies for 6-bladed impeller.

