

CYCLONE TYPE JA

Revised: 15.06.2020

Indusvent type JA High efficiency cyclones are suitable for handling a wide range of applications, they are widely applied for handling wet sawdust, dry or wet Wood shavings, woodchips and grain particles. Cyclone type JA is intended for separation of fine grain particles in transport and dust extraction plants. Cyclones are designed for high efficiency. Powder coating corrosion class C3. Legs are non-standard, but available as optional extras. Cleaning door in cone is an optional extra.

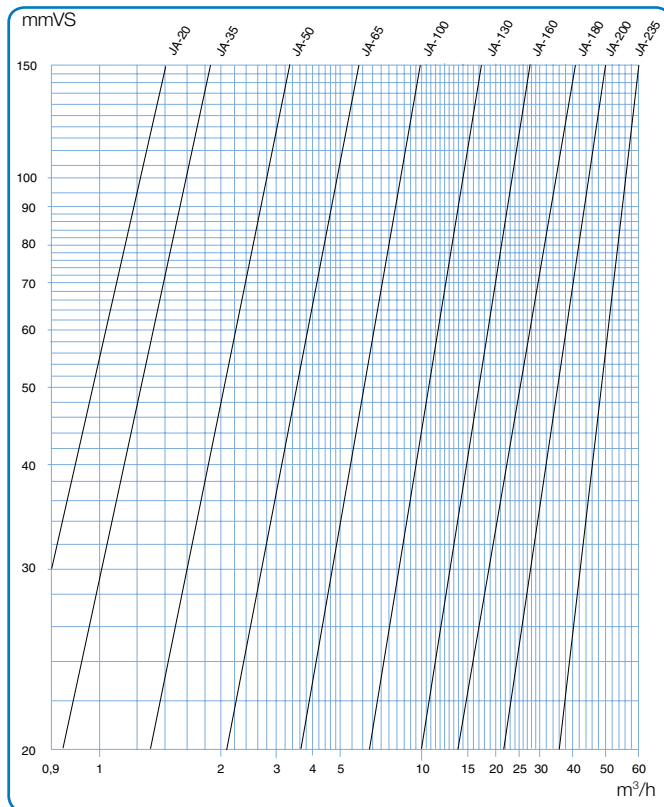
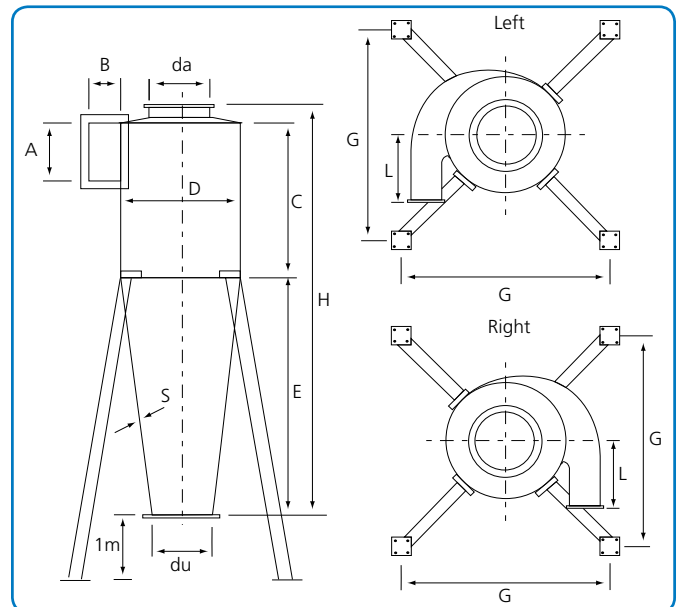
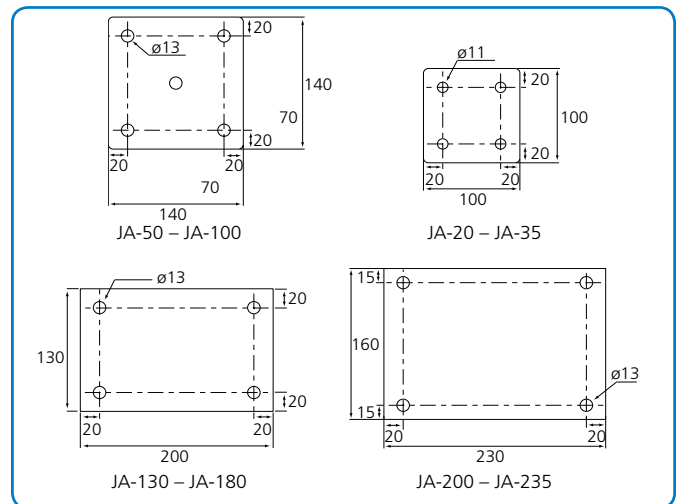


Diagram states pressure loss in cyclone at a given air volume measured in m³/h.



Dimensional specifications for lengths are given in the table below. Legs are optional extras.



Base plate

Type	Dimensions												Weight kg
	A mm	B mm	C mm	D mm	da mm	du mm	E mm	G mm	H mm	S mm	K mm	L mm	
JA-20	230	100	570	400	225	160	820	1050	1465	2	240	240	25
JA-35	285	125	710	500	250	200	1020	1200	1790	2	297	300	55
JA-50	350	160	710	500	250	200	1020	1200	1790	2	310	300	70
JA-65	445	200	995	700	400	300	1405	1539	2500	2	419	420	115
JA-100	560	300	1500	1000	550	400	2050	1960	3752	2	615	600	270
JA-130	750	400	2000	1280	700	450	2820	2305	5090	3	789	700	565
JA-160	1100	500	2000	1600	800	550	3150	2690	5420	3	1050	900	685
JA-180	1500	500	2500	1800	1000	650	3450	2790	6250	3	1157	950	875
JA-200	1310	700	2800	2000	1250	800	4100	3400	7100	3	1310	1100	1735
JA-235	1850	800	3350	2350	1500	950	4860	3440	8500	3	1440	1200	2322