

# Cyclone type CS

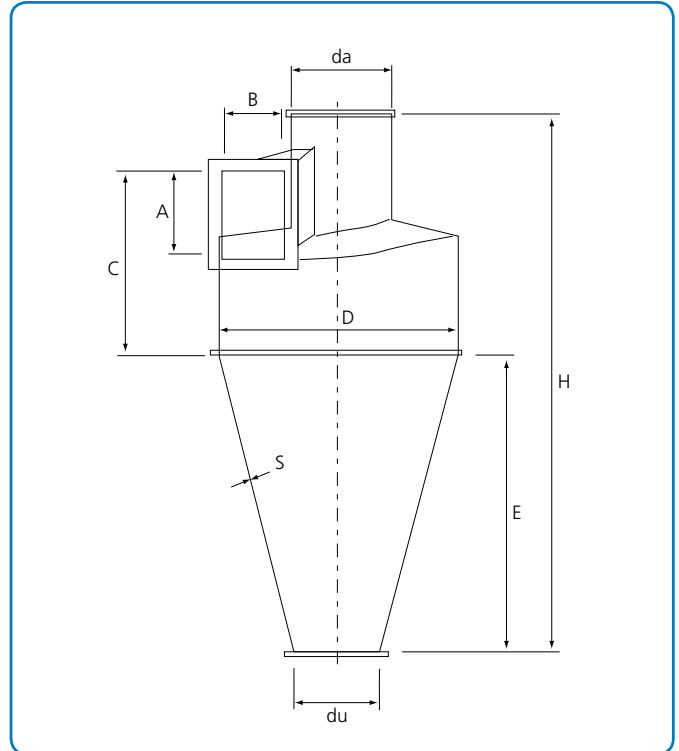
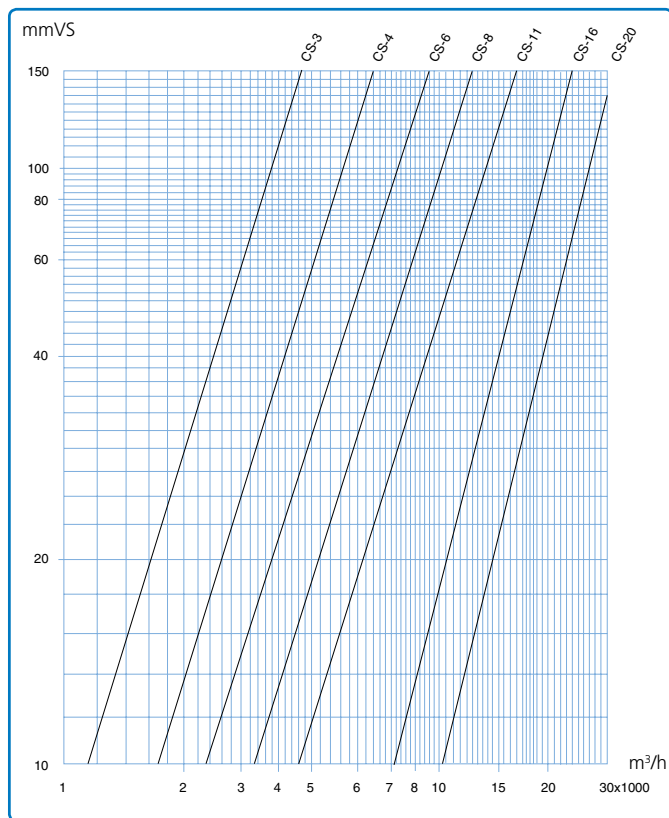
Revised: 15.06.2020

Spiral cyclones type CS are used for air treatment plants in the wood and paper industries and for corn and feed to separate chaff and corn dust in exhaust air from drying and cleaning plants.

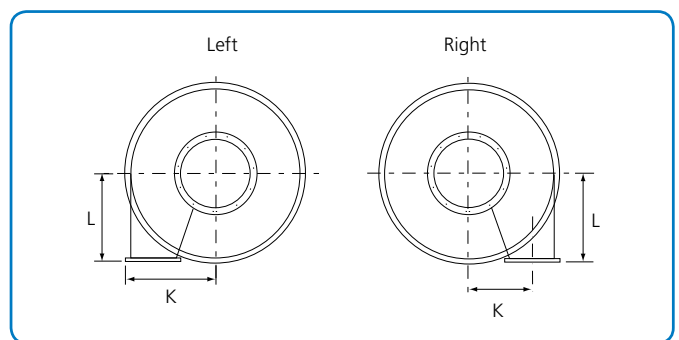
They are made of rolled and riveted hot-dip galvanised sheet metal, but can be supplied in welded 2 - 3 mm sheet.

Type CS-20 is painted in RAL 9006.

Cleaning door in cone is an optional extra.



Dimensional specifications for lengths are given in the table below. Cleaning door is optional extra.



Dimensional specifications for lengths are given in the table below.

| Dimensions |      |      |      |      |       |       |      |      |      |      |      |           |
|------------|------|------|------|------|-------|-------|------|------|------|------|------|-----------|
| Type       | A mm | B mm | C mm | D mm | da mm | du mm | E mm | H mm | S mm | K mm | L mm | Weight kg |
| CS-3       | 300  | 200  | 640  | 800  | 350   | 200   | 1150 | 1980 | 1.25 | 300  | 420  | 50        |
| CS-4       | 350  | 250  | 740  | 950  | 400   | 200   | 1330 | 2280 | 1.25 | 350  | 500  | 65        |
| CS-6       | 400  | 300  | 840  | 1100 | 450   | 250   | 1500 | 2580 | 1.25 | 400  | 580  | 80        |
| CS-8       | 450  | 350  | 950  | 1300 | 500   | 250   | 1700 | 2930 | 1.25 | 475  | 675  | 120       |
| CS-11      | 530  | 400  | 1130 | 1550 | 600   | 300   | 1900 | 3310 | 1.25 | 575  | 790  | 170       |
| CS-16      | 640  | 480  | 1350 | 1850 | 750   | 300   | 1900 | 3600 | 1.25 | 685  | 970  | 210       |
| CS-20      | 800  | 500  | 1410 | 2014 | 1000  | 400   | 1700 | 3450 | 2.00 | 757  | 980  | 360       |